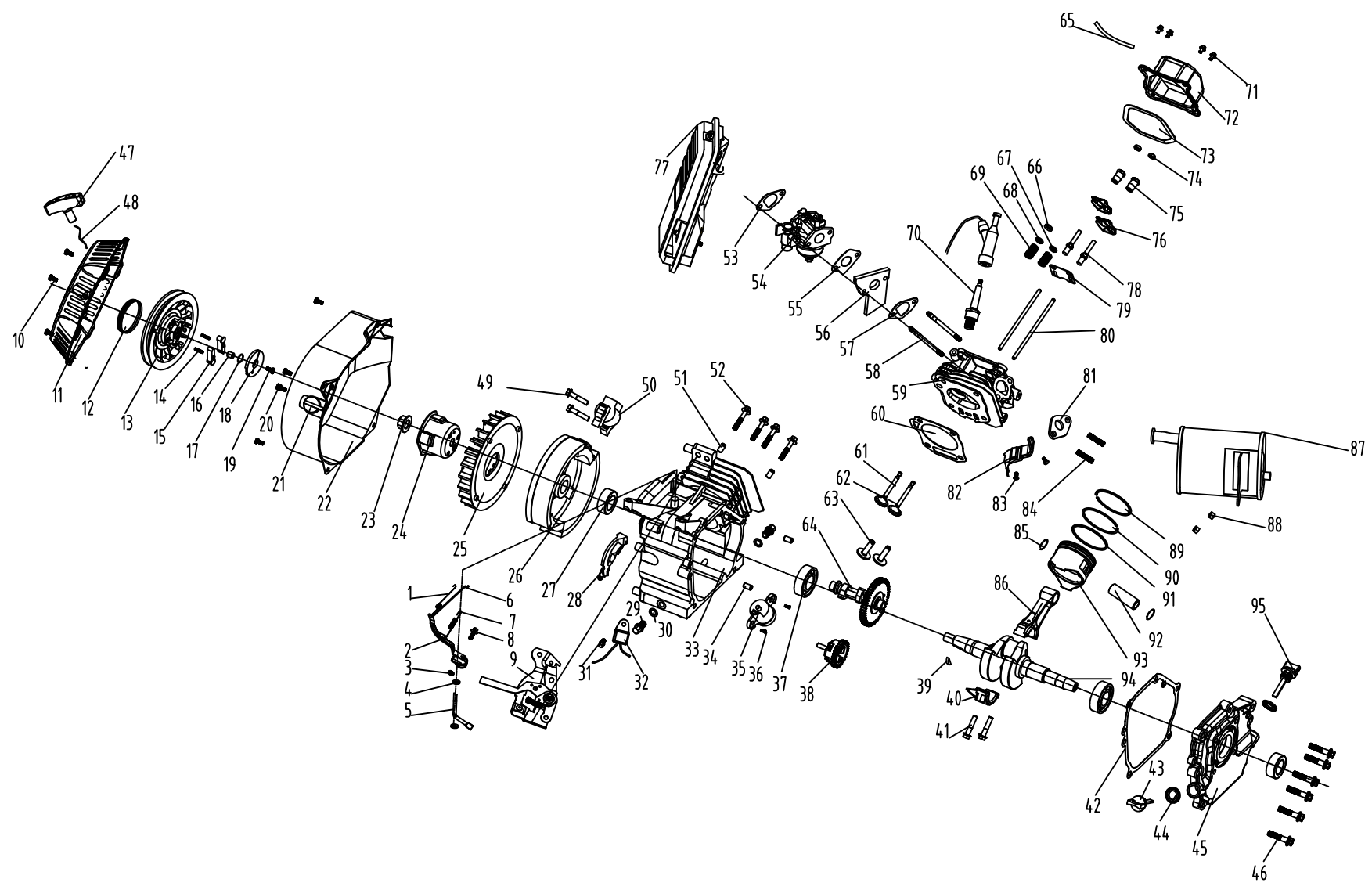


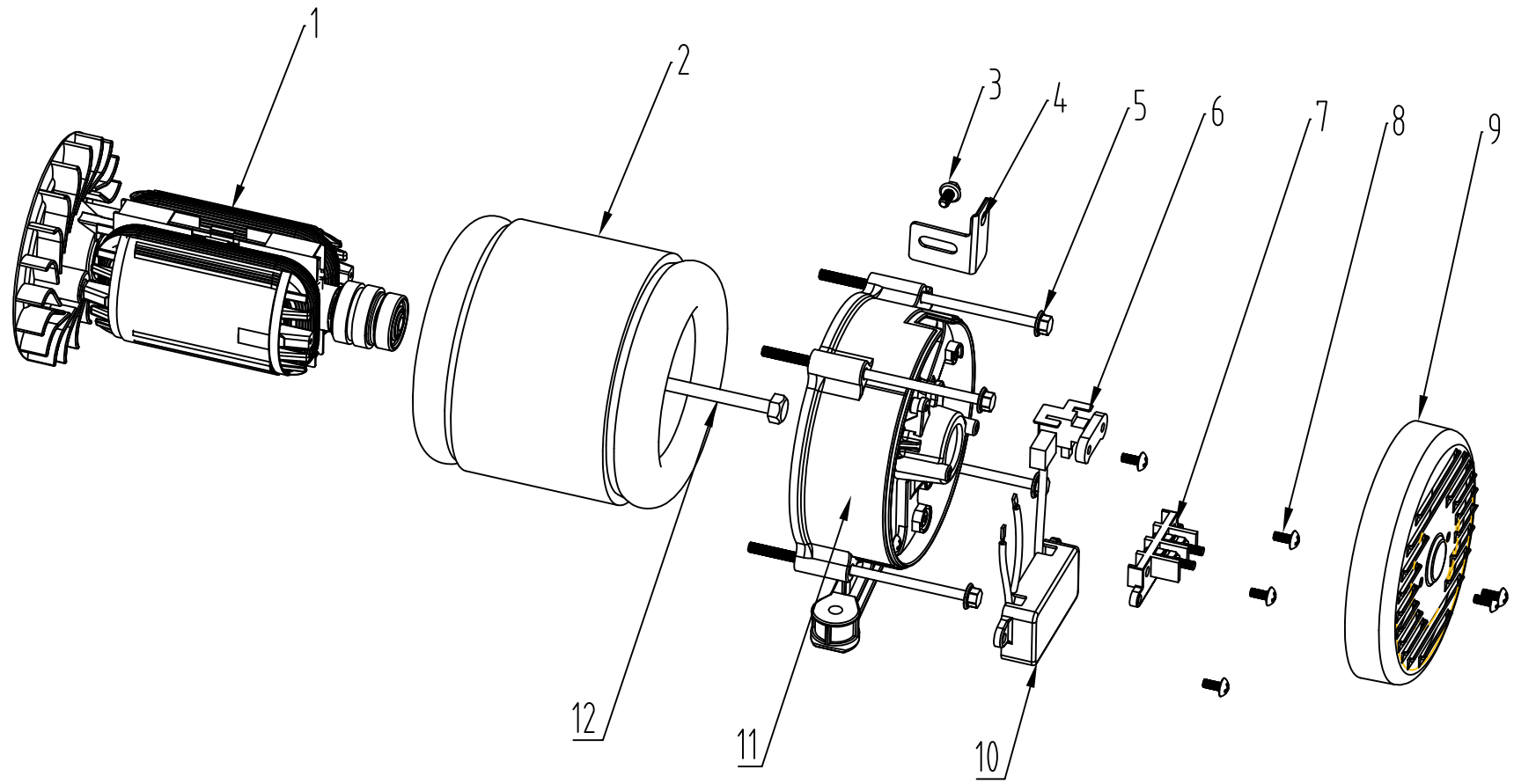
5	Control panel	控制面板	
4	Electrical machine	电机	
3	Frame parts	机架部件	
2	Fuel tank parts	油箱部件	
1	Engine	发动机	
Number	English	Chinese	
Itemref	Quantity	Title/Name, designation, material, dimension etc	Article No./Reference
Designed by XXX	Checked by XXX	Approved by - date XXX - 00/00/00	Filename Exploder
Date		Scale 1:1	
Generator Exploder			



Itemref	Quantity	Title/Name, designation, material, dimension etc		Article No./Reference	
Designed by XXX	Checked by XXX	Approved by - date XXX - 00/00/00	Filename Exploder	Date	Scale 1:1
Electrical machine Exploder					

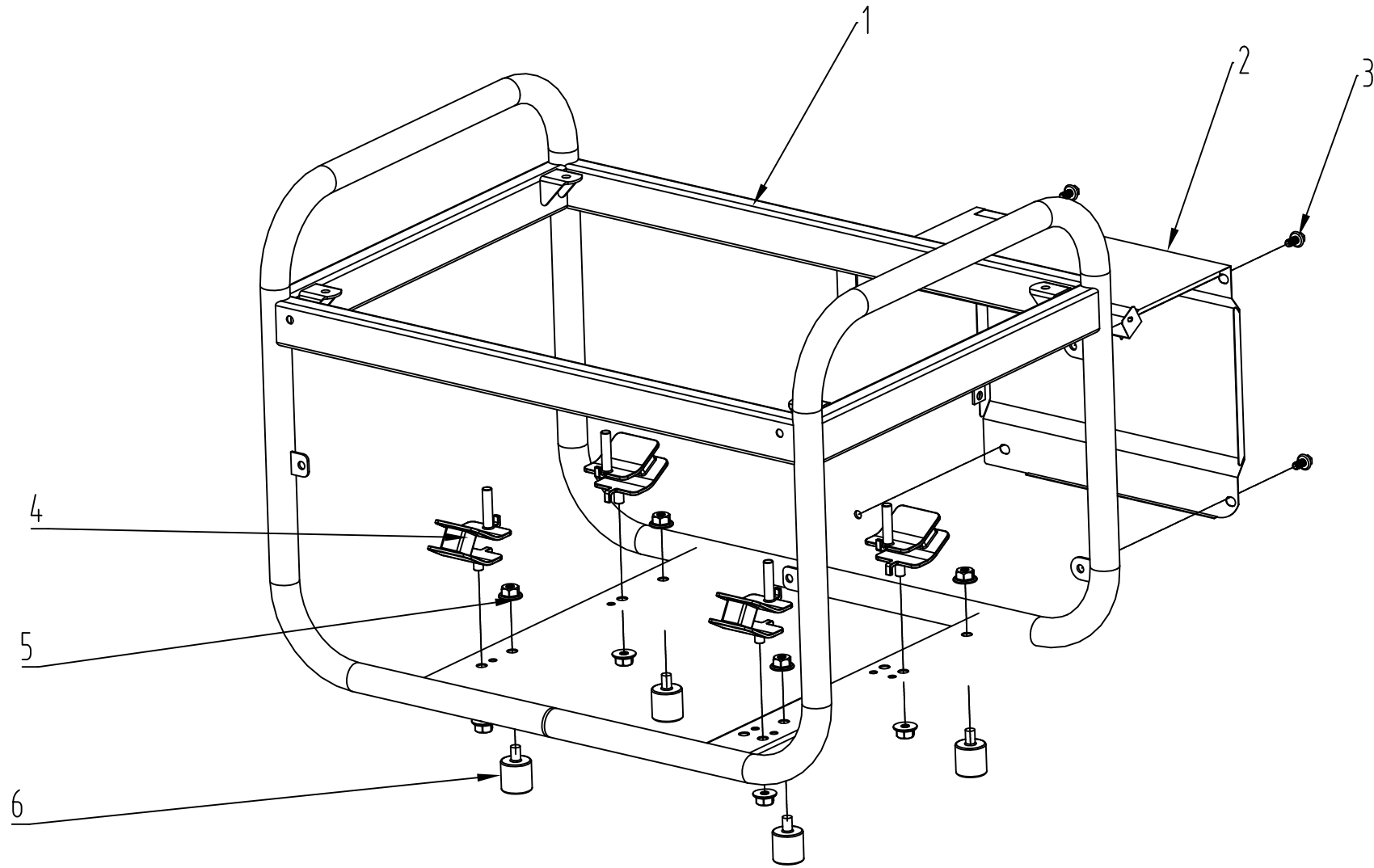
NO	English Name	Chinese Name	Number	NO	English Name	Chinese Name	Number	NO	English Name	Chinese Name	Number	NO	English Name	Chinese Name	Number
1	Pulling Spring	拉簧	1	31	M6x12 Bolt	M6x12 螺栓	1	61	Exhaust Valve	排气门	1	91	Oil Ring	油环	1
2	Governor Arm	调速臂	1	32	Interdiction Organ	阻断器	1	62	Intake Valve	进气门	1	92	Piston Pin	活塞销	1
3	Nut M6	M6螺母	1	33	Crankcase Parts	箱体	1	63	Tappet	挺柱	2	93	Piston	活塞	1
4	Gasket	垫圈	1	34	Pin	销	2	64	Camshaft	凸轮轴	1	94	Crankshaft	曲轴	1
5	Governor Lever	调速杠杆	1	35	Oil Sensor	油位传感器	1	65	Rubber Hose	橡胶管	1	95	Oil Rule	机油尺	1
6	Governor Rod	调速杆	1	36	M6x15 Bolt	M6x15 螺栓	2	66	Exhaust Valve Adjust Nut	排气门调节螺母	2				
7	Governor Spring	调速拉簧	1	37	Bearing 205	205 轴承	2	67	Intake Valve Spring Retainer	进气门弹簧座	1				
8	Bolt	螺栓	1	38	Governor Gear	调速齿轮	1	68	Exhaust Valve Spring Retainer	排气门弹簧座	1				
9	Governor ban parts	调速板部件	1	39	Half-round Key	半圆键	1	69	Valve Spring	气门弹簧	2				
10	Bolt M6x10	M6x10螺栓	3	40	Connecting Rods Cover	连杆盖	1	70	Spark Plug	火花塞	1				
11	Pulling Tray Cover	拉盘盖	1	41	Connecting Rods Bolt	连杆螺栓	2	71	Bolt M6x14	M6x14 螺栓	4				
12	Spring	弹簧	1	42	Crankcase gasket	箱体垫片	1	72	Cylinder head cover	汽缸盖罩	1				
13	Pulling Tray	拉盘	1	43	Oil Gauge	机油尺	1	73	Cylinder head cover Gasket	汽缸盖罩垫片	1				
14	Spring	弹簧	2	44	Gasket	垫圈	2	74	Nut	螺母	2				
15	Starting feet	启动脚	2	45	Crankcase Cover	曲轴箱盖	1	75	Nut	螺母	2				
16	Pin	销	1	46	Bolt M8x35	M8x35 螺栓	6	76	Rocker Arm	摇臂	2				
17	Clip Spring	卡簧	1	47	Starting Handspike	启动手柄	1	77	Air Cleaner	空滤器	1				
18	Impacted ban	压板	1	48	Starting Line	启动拉绳	1	78	Rocker Bolt	摇臂螺栓	2				
19	Bolt M6x15	M6x15螺栓	1	49	M6x25 Bolt	M6x25 螺栓	2	79	Push-Rod Keep Frame	推杆保持架	1				
20	Bolt M6x12	M6x12螺栓	4	50	Ignition Block Parts	点火块	1	80	Push-Rod	推杆	2				
21	Switch	开关	1	51	Cylinder Head pin	汽缸头定位销	2	81	Exhaust pipe Gasket	排气管垫片	1				
22	Lead Wind Cover	导风罩	1	52	Cylinder Head Bolt	汽缸头螺栓	4	82	Lead Windboard	导风罩	1				
23	Flywheel Nut	飞轮螺母	1	53	Air Cleaner Gasket	空滤器垫	1	83	Bolt M6x12	M6x12 螺栓	2				
24	Starting Claw	启动爪	1	54	Carburetor	化油器	1	84	Double Bolt	双头螺栓	2				
25	Fan	风扇	1	55	Carburetor Gasket	化油器垫片	1	85	Piston pin Clip Spring	活塞销卡簧	2				
26	Flywheel Parts	飞轮	1	56	Carburetor Insulator	化油器隔热板	1	86	Connecting Rods	连杆	1				
27	Seal,Oil	油封	2	57	Carburetor Insulator Gasket	化油器隔热板垫	1	87	Muffler	消声器	1				
28	Windboard	导风板	1	58	Carburetor Bolt	化油器螺栓	2	88	Nut M8	M8 螺母	2				
29	Oil drain Plug	放油螺塞	2	59	Cylinder Head	汽缸头	1	89	Piston Ring 1	活塞环1	1				
30	Gasket	垫圈	2	60	Cylinder Head Gasket	汽缸头垫片	1	90	Piston Ring 2	活塞环2	1				

Itemref	Quantity	Title/Name, designation, material, dimension etc			Article No./Reference	
Designed by XXX	Checked by XXX	Approved by - date XXX - 00/00/00	Filename Exploder	Date	Scale 1:1	
Electrical machine Exploder						



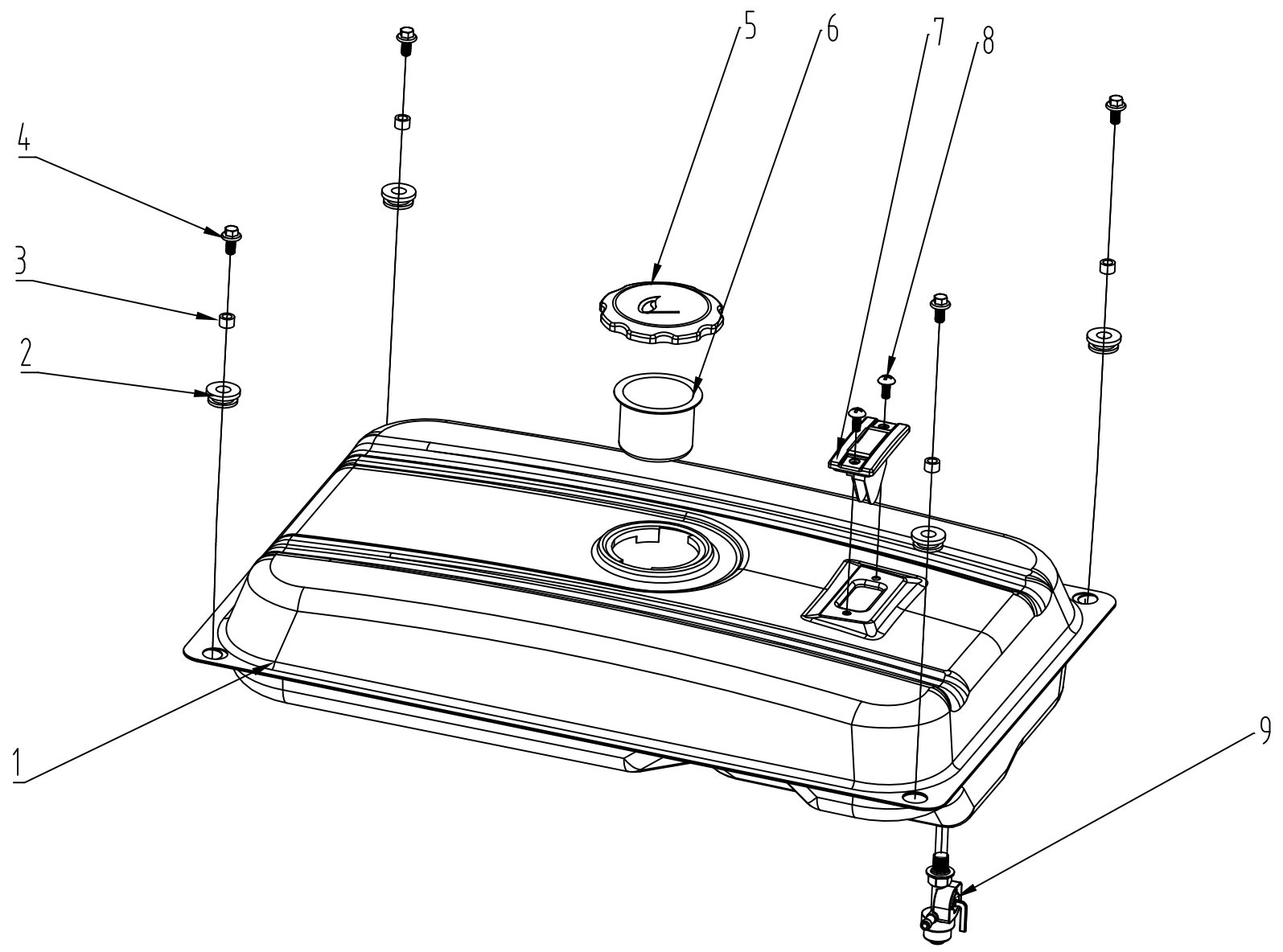
4	Hang feet	挂脚	8	Bolt M5×12	螺栓 M5×12	12	Rotor bolt	转子螺栓
3	Bolt M6×12	螺栓 M6×12	7	Junction Box	接线柱	11	Generator End Bell	电机支架
2	Stator	定子	6	Carbon brush	碳刷	10	Adjust Voltage Regulator	调压器
1	Rotor	转子	5	Stator bolt	定子螺栓	9	Back Cover	后盖
Number	English	Chinese	Number	English	Chinese	Number	English	Chinese

Itemref	Quantity	Title/Name, designation, material, dimension etc			Article No./Reference	
Designed by XXX	Checked by XXX	Approved by - date XXX - 00/00/00	Filename Exploder	Date	Scale 1:1	
Electrical machine Exploder						



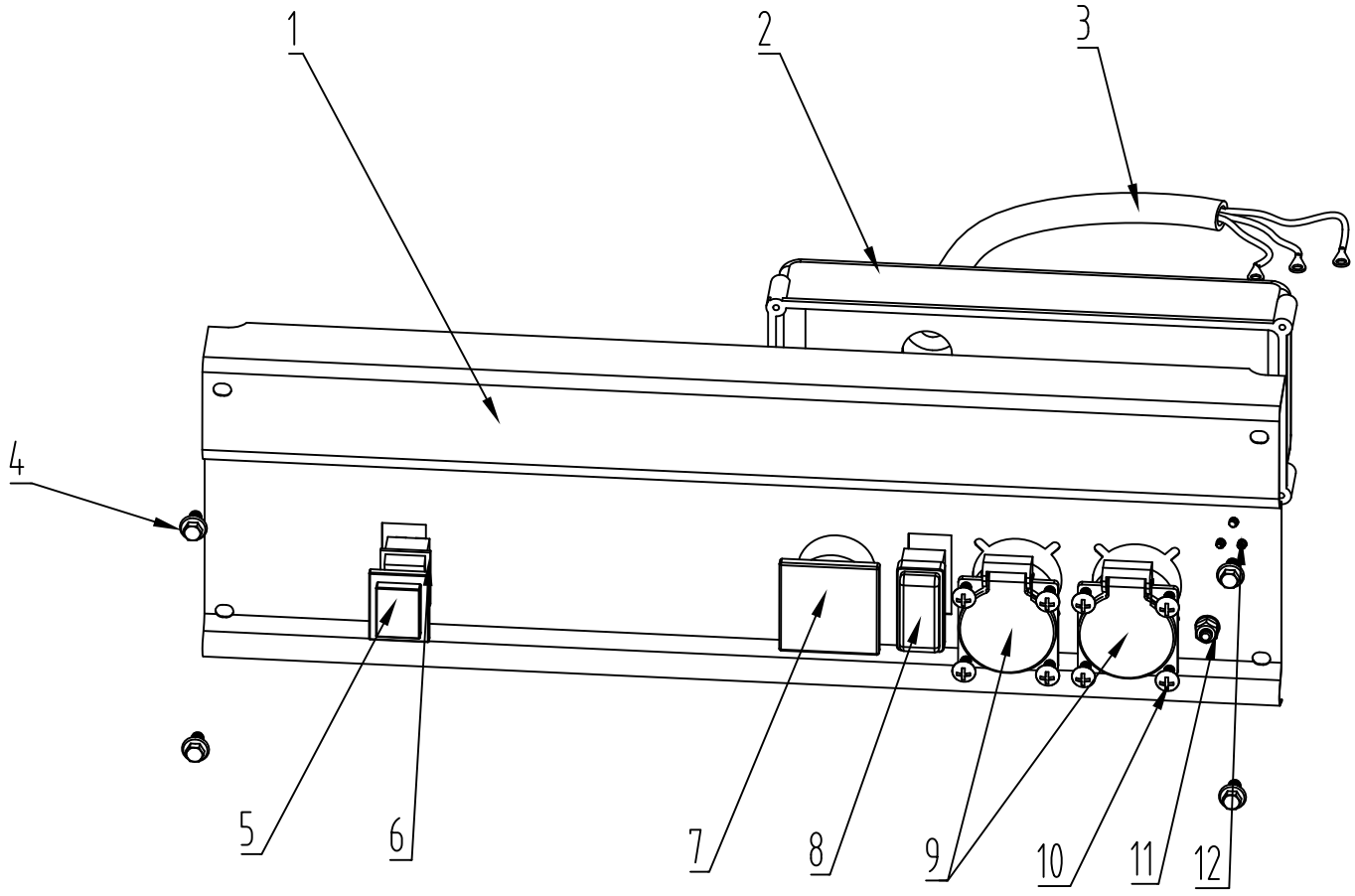
2	Guard ban	防护板	4	Shake Feet	减震脚	6	Rubber feet	橡胶脚
1	Frame	机架	3	Bolt M6×12	螺栓 M6×12	5	Nut M8	螺母 M8
Number	English	Chinese	Number	English	Chinese	Number	English	Chinese

Itemref	Quantity	Title/Name, designation, material, dimension etc			Article No./Reference	
Designed by XXX	Checked by XXX	Approved by - date XXX - 00/00/00	Filename Exploder	Date	Scale 1:1	
Frame parts Exploder						



3	Iron cover	铁套	6	Filter net	滤网	9	Fuel switch	油开关
2	Rubber gasket	橡胶垫	5	Fuel tank Cover	油箱盖	8	Bolt M5×12	螺栓 M5×12
1	Fuel tank	油箱	4	Bolt M6×25	螺栓 M6×25	7	Fuel Meter	油位表
Number	English	Chinese	Number	English	Chinese	Number	English	Chinese

Itemref	Quantity	Title/Name, designation, material, dimension etc			Article No./Reference	
Designed by XXX	Checked by XXX	Approved by - date XXX - 00/00/00	Filename Exploder	Date	Scale 1:1	
Fuel tank parts Exploder						



4	Bolt M6×12	螺栓 M6×12	8	Breaker	保护器	12	DC terminal	直流接线端子
3	Inlet wire	内部导线	7	Voltage meter	电压表	11	Earth bolt	接地螺栓
2	Panel back cover	面板后盖	6	Switch	开关	10	Bolt M5×10	螺栓 M5×10
1	Control panel	控制面板	5	Switch cover	开关盖	9	Socket	插座
Number	English	Chinese	Number	English	Chinese	Number	English	Chinese

Itemref	Quantity	Title/Name, designation, material, dimension etc			Article No./Reference	
Designed by XXX	Checked by XXX	Approved by - date XXX - 00/00/00	Filename Exploder	Date	Scale 1:1	
Control panel Exploder						